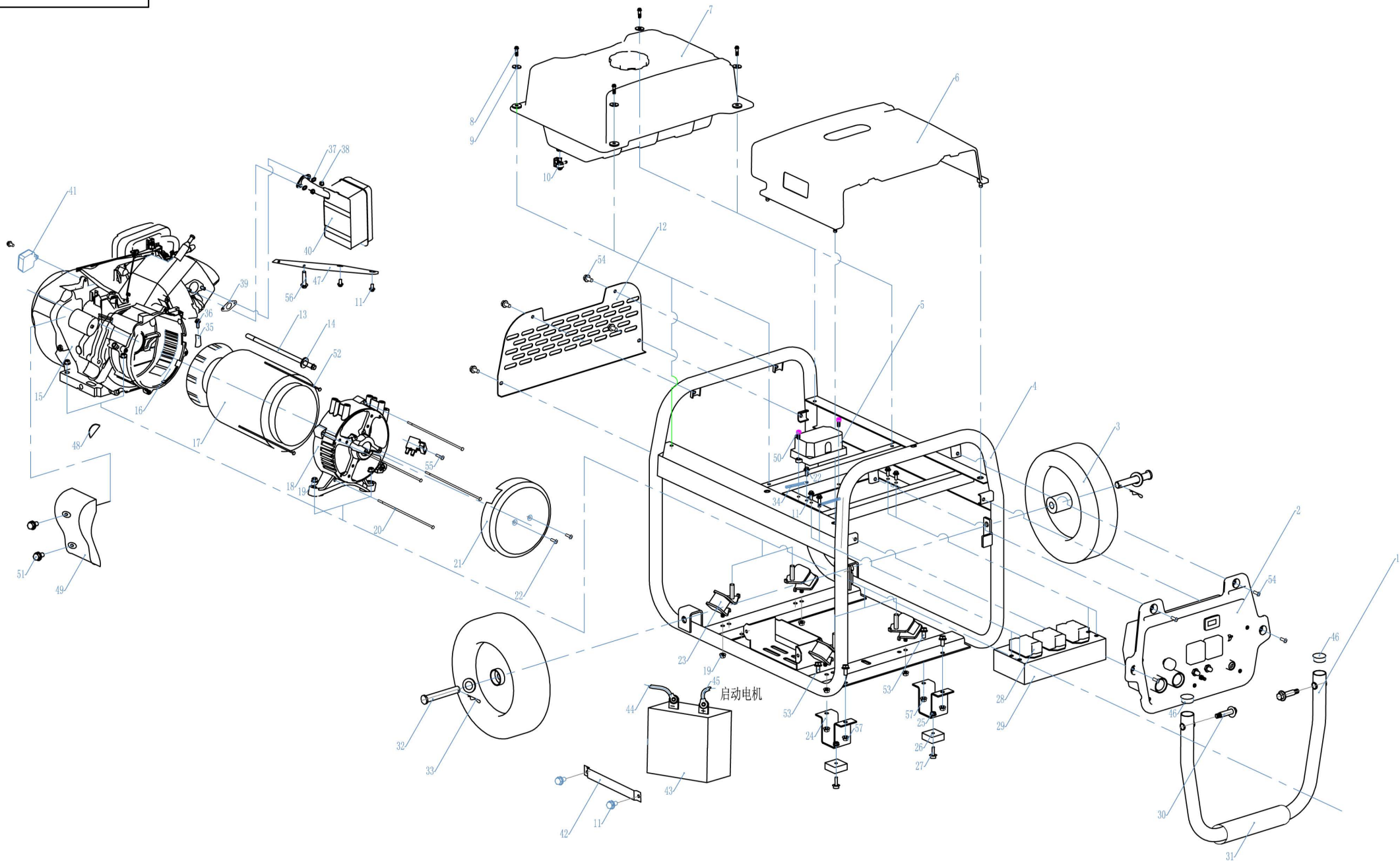
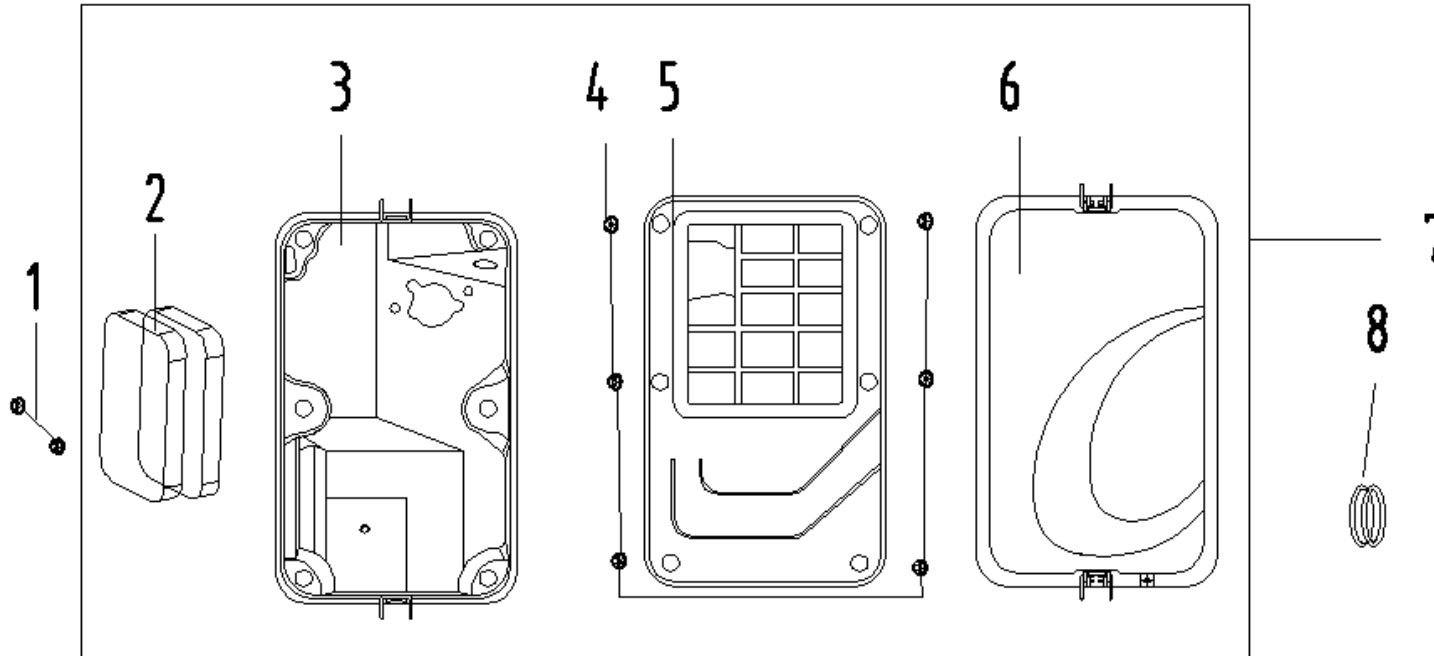


SC200A

		Name	
1	51320-G6C5-00B4	HANDGRIP COMP	1
2	52000-G5C5-1400	COMTROL PANEL COMP	1
3	51310-G5C5-0000	WHEEL COMP	2
4	51100-G5C5-002B4	FRAME COMP	1
5	20044-00079-00	AVR	1
6	51206-G5C5-00B4	ENGINE HOOD	
7	54100-G5C5-02RE	TANK ASSY, FUEL	1
8	B5789-06KG-025B	BOLT, FLANGE M6	4
9	B5287-G7A2-000B	WASHER, TANK CUSHION	4
10	54105-G5AA-0000	COCK ASSY, FUEL	1
11	B5787-06KG-012B	BOLT, FLANGE M6	10
12	53207-G6C5-00B4	SIDE PANEL	1
13	B5789-10LG-257C	BOLT, FLANGE M10	1
14	B97.4-105G-000B	FLAT WASHER	1
15	10000-E90C-A002	ENGINE ASSY	1
16	11200-E90C-0000	COVER, CRANKSHAFT	1
17	20029-05316-00	ALTERNATOR COMP	1
18	31502-B140-0013	BRACKET, ALTERNATOR	1
19	B6177.1-10LG-000B	BOLT, FLANGE M10	4
20	B5787-06KG-185C	BOLT, FLANGE M6	4
21	31301-B148-0007	END COVER, ALTERNATOR	1
22	B5787-05JG-012B	BOLT, FLANGE M5	5
23	51204-G5A3-A000	RUBBER SEAT A	4
24	51330-G5C5-00B4	SUPPORT COMP	2
25	B6177.1-06KG-000B	BOLT, FLANGE M6	5
26	51304-G5A3-0000	RUBBER SEAT, SUPPORT	2
27	B5789-06KG-020B	BOLT, FLANGE M6	2
28	12026-G5D8-0000	RECTIFIER COMP	1
29	15005-G5D8-0000	RADIATOR	1
30	51229-G6C5-0000	DOWEL PIN, HANDGRIP	2
31	51306-G5D8-0000	RUBBER SLEAVE, HANDGRIP	1
32	51301-G6C5-0000	SHAT COMP, WHEEL	2
33	16006-G7A2-0000	CLIP PIN	2
34	11013-E88F-0000	CLIP, WIRE	2
35	11202-E90F-0000	DUSTPROOF BLOCK, CRANKSHAT COVER	1
36	B5789-06KG-020B	BOLT, FLANGE M6	2
37	B895-085G-000C	SPRING WASHER	2
38	B6170-0800-000C	HEX NUT M8	2
39	18010-E88F-0000	WASHER, MUFFLER	1
40	53100-G5AA-02W4	MUFFLER COMP	1
41	12027-G5D8-0000	CHARGING COMP	1
42	51202-G5A1-02B4	TENSION PLATE, BATTERY	1
43	51270-G8A2-0000	BATTERY 12V/18Ah	1
44	51217-G6A3-450B	NAGETIVE WIRE, CHARGE	1
45	51217-G6A3-340R	POSITIVE WIRE, CHARGE	1
46	51312-G7C5-0000	PLUG, FRAME	2
47	53217-G5A1-000C	SUPPORT, MUFFLER	1
48	55005-G5A3-0000	RUBBER, DUSTPROOF	1
49	55017-G5C6-0000	WIRE, COVER	1
50	B70.1-05KG-016B	CAP SCREWS, HEX SOCKET DEAD	2
51	B5789-06KG-012C	BOLTS, FLANGE M6	2
52	B5787-05KG-225B	BOLTS, FLANGE M5	2
53	B5787-08LG-16B	BOLTS, FLANGE M8	4
54	B5787-06KG-016B	BOLTS, FLANGE M6	8
55	B5787-05JG-016B	BOLT, FLANGE M5	1
56	B5787-08LG-040B	BOLT, FLANGE M8	1
57	B6177.1-08KG-000B	BOLTS, FLANGE M8	5
58	B95-016G-000B	FLAT WASHER	2



E-10 Air cleaner



NO.	Part NO.	Description		QTY	
		English		6 &	\$
1	30125-00013-00	BOLT,FLANGE		2	
2	/	ELEMENT ASSY,AIR CLEANER		2	
3	/	COVER,AIR CLEANER		1	
4	/	BOLT,FLANGE		6	
5	/	SUPPORT,ELEMENT		1	
6	/	BASE COMP,AIR CLEANER		1	
7	20025-00083-01	AIR CLEANER ASSY		1	
8	33015-00039-01	SLEEVE,FUEL PIPE		1	